

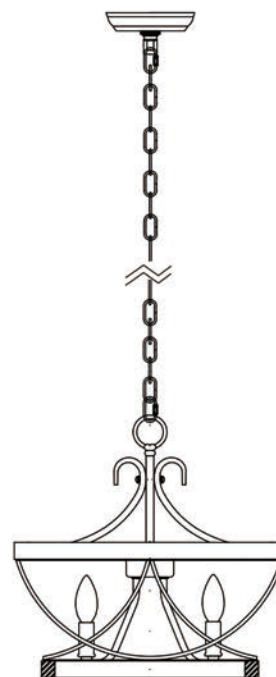
Bella Depot <https://www.BellaDepot.com>

Please contact us directly for any further assistance

Email Address : Support@BellaDepot.com

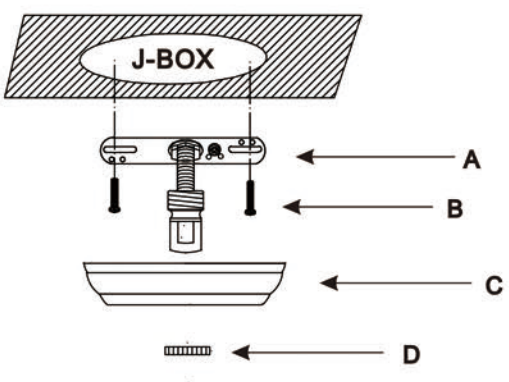
Hotline : (303) -970-9898

MADE IN CHINA



Bella Depot <https://www.BellaDepot.com>

①



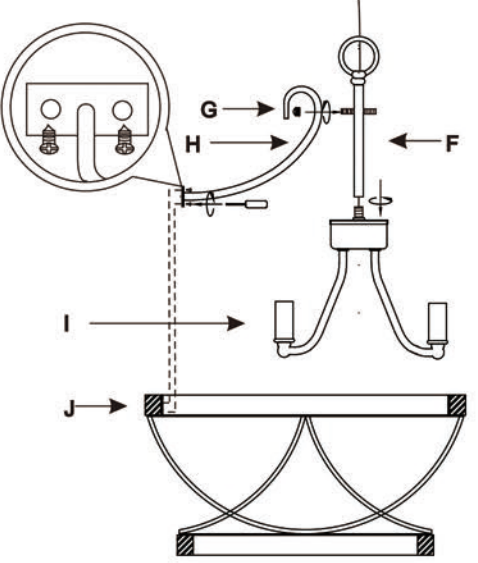
Step1.

- 1.Remove the Mounting Bracket(A) from Ceiling Canopy(C) by loosening Circle Ring(D).
- 2.Then Secure Mounting Bracket(A) to ceiling junction box by Mounting screw(B).

PAGE 3

Bella Depot <https://www.BellaDepot.com>

②



Step2.

- 1.Feed the fixture wire through the stem(F) and screw the stem(F) to the top of the Lamp Fixture(H) assembly.
- 2.Unscrew the Nuts(G) Stem(F) and tighten the Bars(H) on Stem(F) by twisting the Nuts(G).
- 3.Twist the screws to connect Lamp Fixture (I) and Wooden Frame(J) by screw driver(not provide).

PAGE 4

Bella Depot <https://www.BellaDepot.com>

