

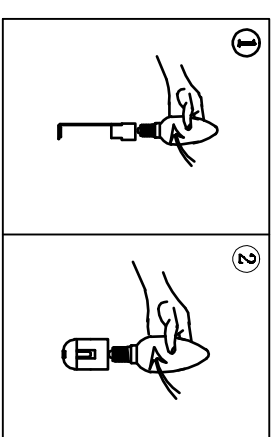
FC4037-4

## Cautions of installation

### Install the bulbs

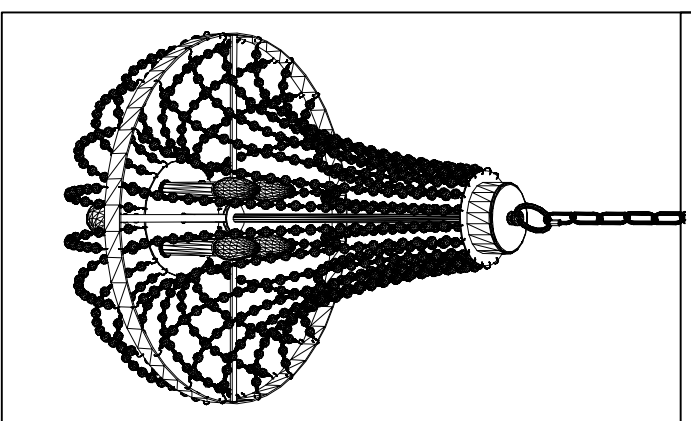
Hold the bulb firmly

(You should not touch the hardware part in case of electric shock) and then install it clockwise till it is firm

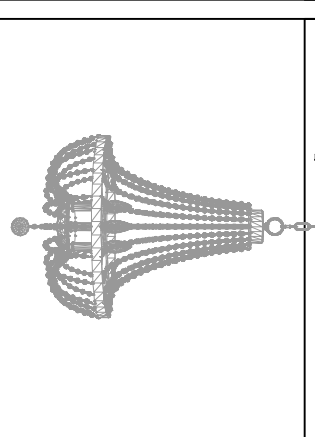


1. Open the carton and check the lamp, if there are something wrong, please contact the seller.
2. Install the lamp according to the illustration.

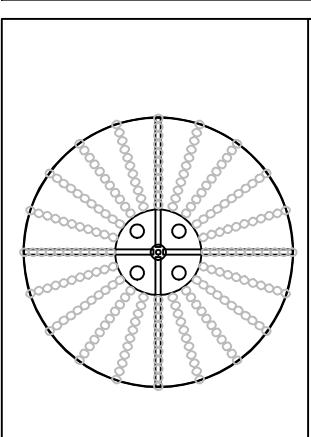
Show the diagram



The positive view



The main view



FC4037-4