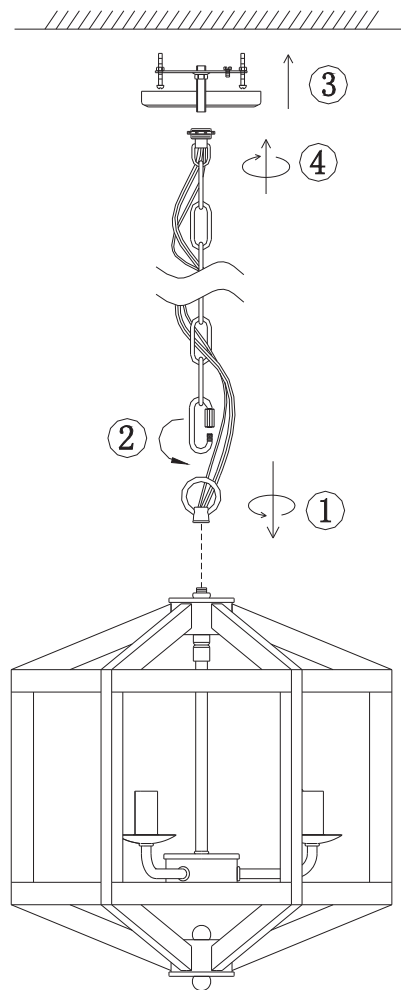


# Oaks Decor

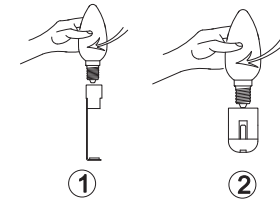


FC4012-3H

## Cautions of installation

### Install the bulbs

Hold the bulb firmly  
(you should not touch the  
hardware part in case of  
electric shock) and then install  
it clockwise till it is firm



If you have any questions, or any parts missing,  
damaged or malfunction, it is not necessary to uninstall  
and return it back.

Please contact us directly for professional and fast help:  
[Support@OaksDecor.com](mailto:Support@OaksDecor.com)

