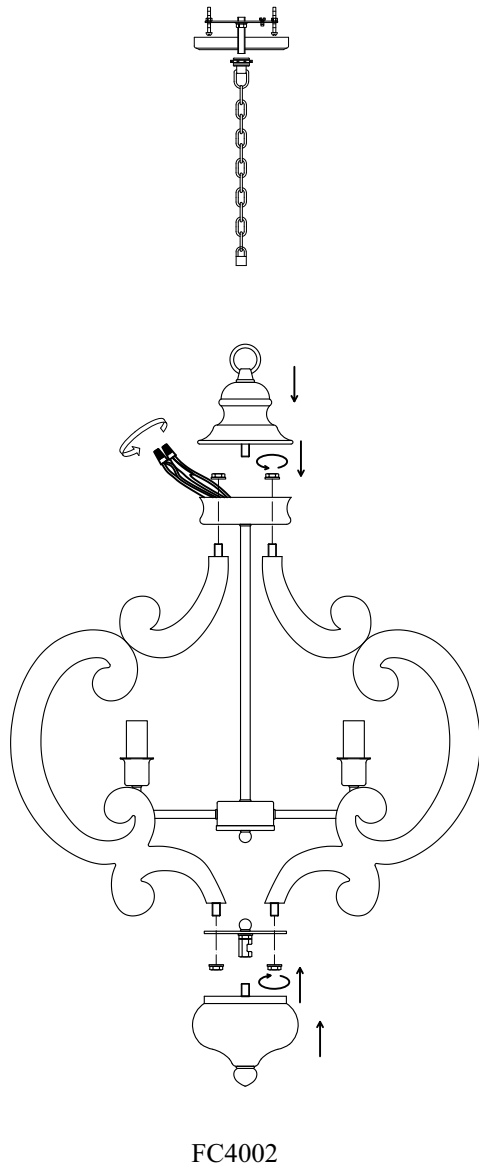


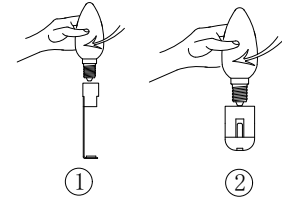
Oaks Decor



Cautions of installation

Install the bulbs

Hold the bulb firmly (you should not touch the hardware part in case of electric shock) and then install it clockwise until it is firm



If you have any questions, or any parts missing, damaged or malfunction, it is not necessary to uninstall and return it back.

Please contact us directly for professional and fast help:
Support@OaksDecor.com

